

# BACnet/MSTP FAN CONTROL

## AiriusBAC24

Enclosed BACnet® MS/TP Network Fan Device;  
 One 0-10VDC output; One tachometer input;  
 24Vac/dc power input

**Up to 63 fans on a BACnet® MS/TP Network. One AiriusBAC24 needed per fan.**

**Dimensions:** 4.00" x 4.00" x 1.80" with .50" NPT Nipple

**Green LED:** Network Rx

**Blue LED:** Blinks with power and flickers for Network Tx

**Housing Rating:** UL Accepted for Use in Plenum, NEMA 1

**Operating Temperature:** -30 to 140°F

**Humidity Range:** 5 to 95% RH (non-condensing)

**Power Input Ratings:** 3W @ 24V

**Network Media:** Twisted Pair 22-24AWG, shielded recommended

**Terminations:** AiriusBAC24 product installed at both ends of the MS/TP network – Use 120 Ω end of line resistors. All other cases – Follow instructions from the device installed at the end of the MS/TP network.

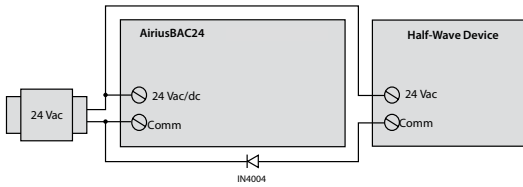
**Polarity:** Network is polarity sensitive

**Baud Rate:** 9600, 19200, 38400, 57600, 76800, 115200 (DIP Switch Selectable)

**Note:** When connecting 24 Vac to both the AiriusBAC24 and a half-wave device, damage to device can occur.

Option 1: Use separate transformers for each device.

Option 2: Add diode between devices, see Option 2 note below. ^^



Option 2: Add diode on 24 Vac power (Comm) interconnection between devices. Band on diode faces towards AiriusBAC24.

### BACnet® Details:

- MS/TP Address & Baud Rate must be set prior to power up via DIP switches.

- Device ID will default to 277XXX where XXX is the MS/TP Address.

Examples:

MS/TP Address - 004
Device ID - 277004
MS/TP Address - 121
Device ID - 277121

- Device ID can be changed via network command. Once changed, it will no longer default to 277XXX. (MS/TP Address & Device ID must be unique.)

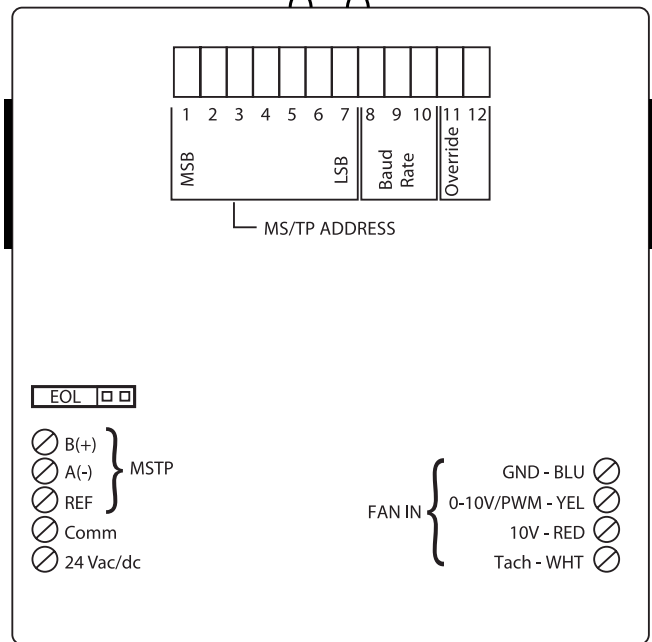
- Device Instance changed via Object Identifier Property of Device Object

- PIC Statement available on website.

**Warranty:** 3 years parts and workmanship.

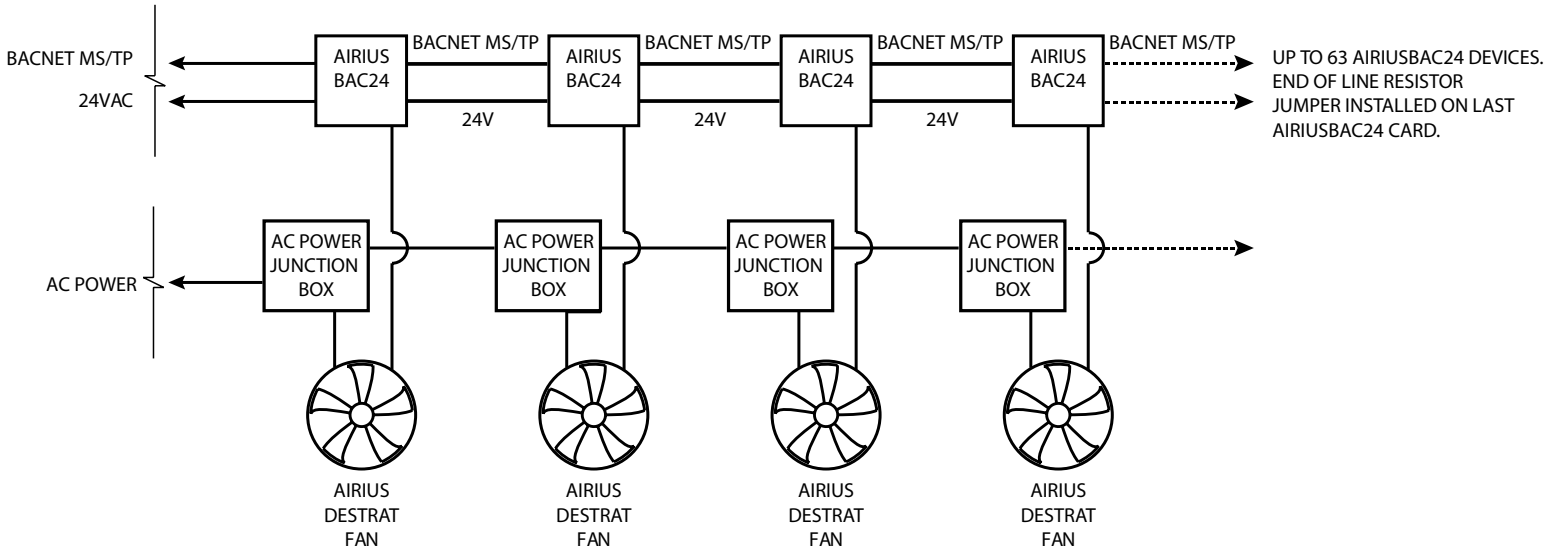
GREEN LED = Network Communication

BLUE LED = Tx/Heartbeat



Information subject to change at anytime. BACnet® is a trademark of American Society of Heating, Refrigerating and Air-Conditioning Engineers (ASHRAE).

## Wiring Diagram



Information subject to change at anytime. BACnet® is a trademark of American Society of Heating, Refrigerating and Air-Conditioning Engineers (ASHRAE).