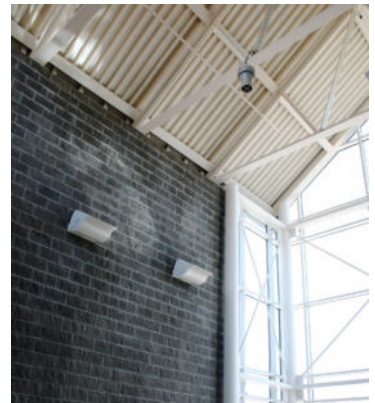




PEARLINK

Reduce installation cost & control your Airius fan system over 2.4Ghz WiFi



DISTRIBUTED COMFORT

The Pearlink control system offers total fan control from a desktop or mobile device. Pearlink integrates with existing WiFi to provide wireless connectivity for monitoring stratification levels and to provide individual or grouped fan control. This factory installed option will replace all control wiring and manual wall controls. Each installation includes a floor sensor to be installed near your thermostat to monitor stratification levels.

WHERE WE HELP

- › Reduce installation cost by eliminating control wiring
- › Control fans individually or in groups over 2.4Ghz WiFi

Features

- › Interface is web-based (Chrome/Firefox), iOS, or Android
- › Monitor temperature and humidity at fan and floor level
- › Monitor Delta-T (stratification level)
- › Monitor fans via the integrated tachometer
- › Alerts for run time and/or stratification
- › Upgrade firmware via Over the air (OTA) encrypted firmware updates

PEARLINK FAN CONTROL

Housing: PC/ABS, Off white (cool gray 2c)

Mounting: Factory installed at time of ordering to each individual fan.

Power Consumption

Idle: 16mA
TX/RX: 200mA

Wi-Fi Characteristics

802.11b/g/n 2.4 GHz
TX Power 18 dBm @ 1DSSS
RX Sensitivity -96 dBm @ 1 DSSS
Range 100 meters

Sensors & Accuracy

Temperature Sensor +/- 1 °F
Humidity Sensor +/- 1% RH
Tachometer +/- 3%

Interface

Web-based (Chrome/Firefox), iOS, or Android (Mobile apps available in App Store and Google Play Store)

Requirements

2.4 GHz Wi-Fi network
Pearlink control installed on every fan
Pearlink floor sensor installed in each room fans are used
Phone or tablet with iOS 8 or later, or Android 4 or later required for setup
Browser for accessing the web dashboard to control devices (PC or MAC)
A free Pearlink Account

Operating Conditions

Temperature 32 to 120°F
Humidity Up to 90% RH
Altitude Up to 10,000 ft

Ordering

The Pearlink control is a factory installed option. When ordering, a Pearlink control must be ordered with each fan and a Pearlink Floor Sensor ordered per room. (Example: Indoor gym with six fans will require all six fans to be fitted with the Pearlink control. One floor sensor will need to be mounted within the gym)

Pearlink-F = Pearlink Fan Controller
Pearlink-T = Pearlink Floor Sensor

Warranty

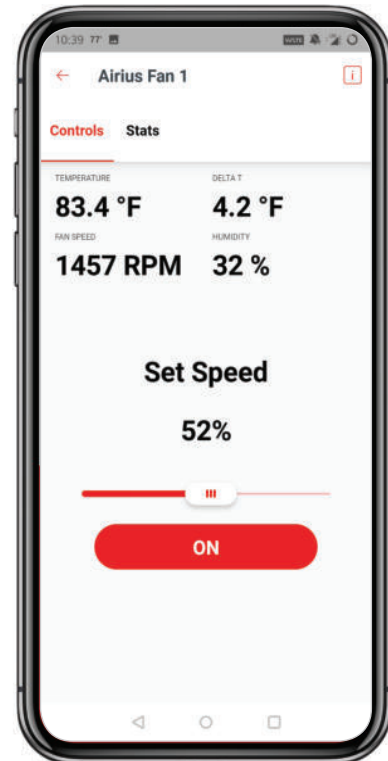
1 years parts and workmanship.



AIRIUS FAN SYSTEM

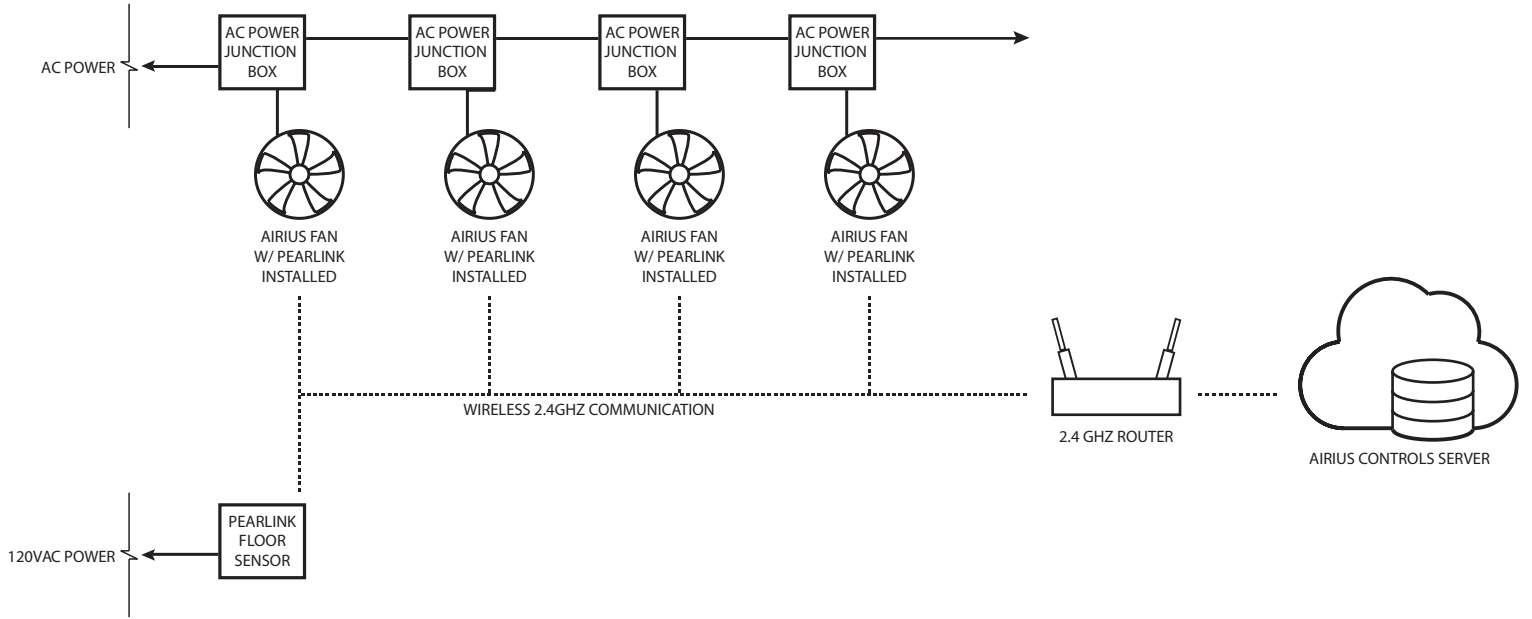


AIRIUS CONTROLS SERVER



PHONE OR TABLET

PEARLINK FAN CONTROL



PEARLINK FLOOR SENSOR

Housing: PC/ABS, Off white (cool gray 2c)

Power Cord: 120VAC, 6 foot cord and plug provided.

Mounting: Mount to an interior wall 42" A.F.F.

Recommendations: Airius recommends specifying one floor sensor per room. Multiple Pearlink enabled fans can be assigned to the same floor sensor for measuring stratification levels.

Power Consumption

Idle: 16mA

TX/RX: 200mA

Wi-Fi Characteristics

802.11b/g/n 2.4 GHz

TX Power 18 dBm @ 1DSSS

RX Sensitivity -96 dBm @ 1 DSSS

Range 100 meters

Sensors & Accuracy

Temperature Sensor +/- 1 °F

Humidity Sensor +/- 1% RH

Tachometer +/- 3%

Requirements

2.4 GHz Wi-Fi network

120V power

Phone or tablet with iOS 8 or later, or Android 4 or later required for setup

Browser for accessing the web dashboard to control devices (PC or MAC)

A free Pearlink Account

Operating Conditions

Temperature 32 to 120°F

Humidity Up to 90% RH

Altitude Up to 10,000 ft

Ordering

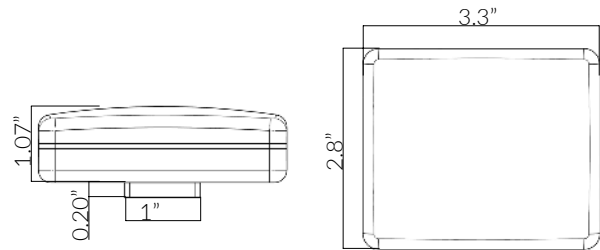
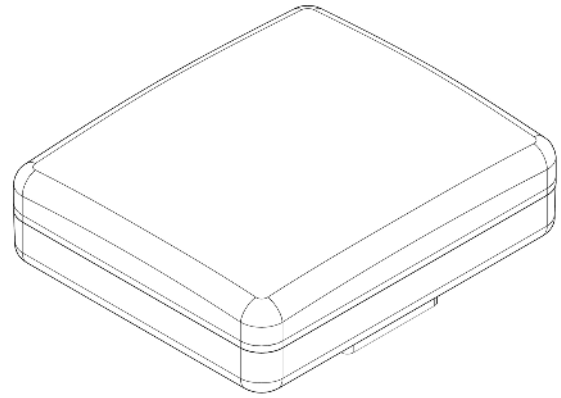
When ordering, a Pearlink control must be ordered with each fan and a Pearlink Floor Sensor ordered per room. (Example: Indoor gym with six fans will require all six fans to be fitted with the Pearlink control. One floor sensor will need to be mounted within the gym)

Pearlink-F = Pearlink Fan Controller

Pearlink-T = Pearlink Floor Sensor

Warranty

1 years parts and workmanship.



SCALE = NTS